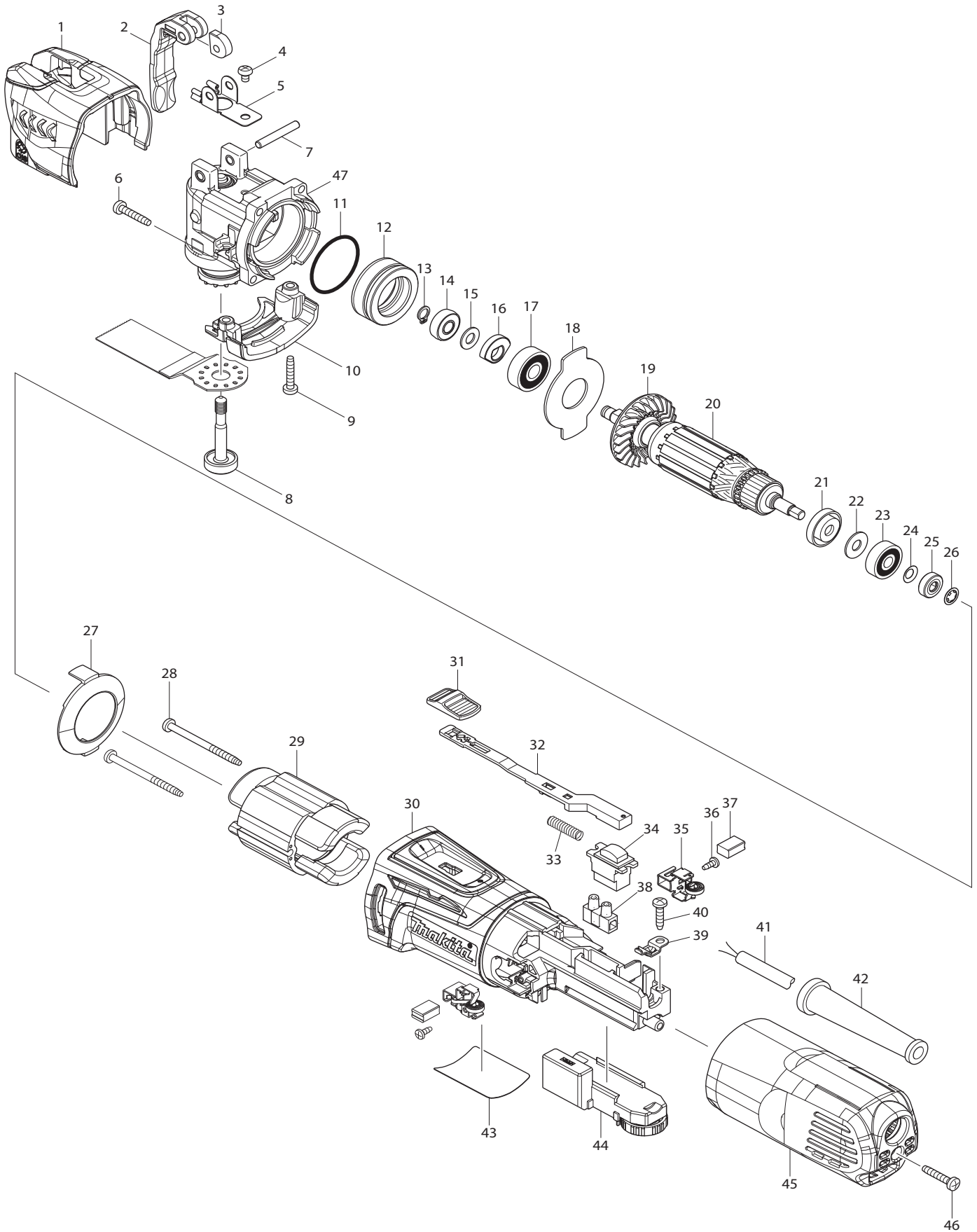




07 - 2013  
TM3010CX3  
MULTI-TOOL, TOOLLESS



Item No	Type	Part No	Description	Qty	Unit
1		454634-5	UPPER HEAD COVER	1	PC.
2		319059-9	LEVER	1	PC.
3		313268-2	TURN BLOCK	1	PC.
4		911102-6	PAN HEAD SCREW M4X6	1	PC.
5		232282-8	LEAF SPRING	1	PC.
6		266424-2	TAPPING SCREW 4X20	4	PC.
7		268306-4	PIN 5	1	PC.
8		326346-9	HOLDER BOLT	1	PC.
9		266424-2	TAPPING SCREW 4X20	2	PC.
10		454635-3	LOWER HEAD COVER	1	PC.
11		213343-3	O RING 35	1	PC.
12		326347-7	BEARING BOX	1	PC.
13		961003-8	RETAINING RING S-7	1	PC.
14		211392-4	SPHERE BEARING 706	1	PC.
15		253133-2	FLAT WASHER 7	1	PC.
16		313245-4	BALANCER	1	PC.
17		211092-6	BALL BEARING 629DDW	1	PC.
18		285857-2	BEARING RETAINNER	1	PC.
19		240140-4	FAN 46	1	PC.
20		517681-8	ARMATURE ASSEMBLY 115V	1	PC.
	INC.		Item. 19,21-26		
21		681636-0	INSULATION WASHER	1	PC.
22		267426-1	FLAT WASHER 7	1	PC.
23		210023-2	BALL BEARING 627DDW	1	PC.
24		267756-0	WAVE WASHER 6	1	PC.
25		688174-3	MAGNET SLEEVE	1	PC.
26		259039-2	SELF LOCK 6	1	PC.
27		453828-9	BAFFLE PLATE	1	PC.
28		266415-3	TAPPING SCREW 4X55	2	PC.
29		623556-2	FIELD 115V	1	PC.
30		453823-9	MOTOR HOUSING	1	PC.
31		453761-5	SWITCH KNOB	1	PC.
32		453825-5	SWITCH LEVER	1	PC.
33		234263-8	COMPRESSION SPRING 5	1	PC.
34		651609-7	SWITCH SS106A-7-1	1	PC.
35		643839-4	BRUSH HOLDER 6X9	2	PC.
36		266492-5	TAPPING SCREW 3X8	2	PC.
37		195025-8	CARBON BRUSH CB-458	1	SET
38		654532-5	TERMINAL BLOCK 1P	1	PC.
39		687681-3	STRAIN RELIEF	1	PC.
40		266326-2	TAPPING SCREW 4X18	1	PC.
41		664891-9	CORD W/PLUG 2P-18-2.5M,SJ	1	PC.
42		682569-2	CORD GUARD 8-85	1	PC.
43		814T82-4	NAME PLATE F/TM3010C	1	PC.
44		620232-9	CONTROLLER	1	PC.
45		453824-7	REAR COVER	1	PC.
46		266424-2	TAPPING SCREW 4X20	1	PC.
47		142208-1	CRANK HOUSING COMPLETE	1	PC.
100		654258-9	EARTH TERMINAL	1	PC.

Item No	Type	Part No	Description	Qty	Unit
<b>ACCESSORIES</b>					
- See Catalogue or visit <a href="http://www.makita.ca">www.makita.ca</a> for more accessories -					
A01		142257-8	TOOL BOX COMPLETE	1	PC.
	INC.	454652-3	LATCH	1	PC.
A02		821592-4	PLASTIC CARRYING CASE	1	PC.
	INC.	162315-4	LATCH	2	PC.
	INC.	452137-3	HANDLE	1	PC.
A03		196271-6	ADAPTER A SET	1	PC.
A04		313249-6	ADAPTER C	1	PC.
A05		B-21353	SAW BLADE, PLUNGE CUT BIM 1-1/8"	1	PC.
		B-21565	ABRASIVE PAPER DELTARED LONG RED 60G-10PK	2	PK.
A06					
A07		B-21593	ABRASIVE PAPER DELTARED LONG RED 120G-10PK	2	PK.
A08		B-22931	ABRASIVE PAPER DELTARED LONG RED 240G-10PK	2	PK.
A09		B-21537	SANDING PAD	1	PC.
A10		196550-2	DUST ATTACHMENT SET	1	PC.
	INC.	443177-2	FELT RING 37	1	PC.
	INC.	453832-8	JOINT	1	PC.
	INC.	453835-2	NOZZLE BAND A	1	PC.
	INC.	454636-1	DUST ATTACHMENT	1	PC.
	INC.	454637-9	DUST NOZZLE D	1	PC.
A11		B-21272	SAW BLADE, SEGMENT BIM 3-1/4"	1	PC.
A12		B-21294	SAW BLADE, ROUND BIM, 3-1/4"	1	PC.
A13		B-21319	SAW BLADE, SEGMENT BIM 4"	1	PC.
A14		B-21325	SAW BLADE, SEGMENT BIM 3-1/2"	1	PC.
A15		B-21331	SAW BLADE, SEGMENT BIM 3-1/2"	1	PC.
A16		B-21347	SAW BLADE, PLUNGE CUT BIM 2-1/2"	1	PC.
A17		B-21369	SAW BLADE, PLUNGE CUT BIM 1-1/4"	1	PC.
A18		B-21381	SAW BLADE, PLUNGE CUT HCS 1-1/4"	1	PC.
A19		B-21397	SAW BLADE, PLUNGE CUT HCS 3/4"	1	PC.
A20		B-21406	SAW BLADE, PLUNGE CUT HCS 3/8"	1	PC.
A21		B-21428	SAW BLADE, PLUNGE CUT BIM 3/4"	1	PC.
A22		B-21434	SAW BLADE, PLUNGE CUT BIM 3/8"	1	PC.
A23		B-21440	SCRAPER, RIGID HCS 2"	1	PC.
A24		B-21456	SCRAPER, FLEXIBLE HCS 2"	1	PC.
A25		B-21462	SEG BLADE, SERRATED HCS 4"	1	PC.
A26		B-21478	GENERAL JOINT CUTTER, HCS, 2"	1	PC.
A27		B-21484	HM REMOVER, 40G, 2-1/2"	1	PC.
A28		B-21490	SAW BLADE, HM SEG 3-1/2"x1/8"	1	PC.
A29		B-21509	SAW BLADE, HM SEG 2-1/2"x1/16"	1	PC.
A30		B-21515	SANDING PLATE, HM 3"	1	PC.
A31		B-21521	SAW BLADE, DIAMOND SEG 3-1/2"x1/8"	1	PC.
A32		B-21559	ABR PAPER D.RED ASSORT 10PK	1	PK.
		B-21571	ABRASIVE PAPER DELTARED LONG RED 80G-10PK	1	PK.
A33					
		B-21587	ABRASIVE PAPER DELTARED LONG RED 100G-10PK	1	PK.
A34					
		B-21602	ABRASIVE PAPER DELTARED LONG RED 180G-10PK	1	PK.
A35					

Item No	Type	Part No	Description	Qty	Unit
A36		B-21674	ABRASIVE PAPER DELTARED LONG WHITE ASSORT 10PK	1	PK.
A37		B-21680	ABRASIVE PAPER DELTARED LONG WHITE 60G-10PK	1	PK.
A38		B-21696	ABRASIVE PAPER DELTARED LONG WHITE 80G-10PK	1	PK.
A39		B-21705	ABRASIVE PAPER DELTARED LONG WHITE 100G-10PK	1	PK.
A40		B-22969	ABRASIVE PAPER DELTARED LONG WHITE 120G-10PK	1	PK.
A41		B-21711	ABRASIVE PAPER DELTARED LONG WHITE 240G-10PK	1	PK.
A42		B-21727	ABRASIVE PAPER DELTARED LONG WHITE 320G-10PK	1	PK.
A43		B-21733	ABRASIVE PAPER DELTARED LONG BLACK ASSORT 10PK	1	PK.
A44		B-21749	ABRASIVE PAPER DELTARED LONG BLACK 120G-10PK	1	PK.
A45		B-21755	ABRASIVE PAPER DELTARED LONG BLACK 240G-10PK	1	PK.
A46		B-21761	ABRASIVE PAPER DELTARED LONG BLACK 400G-10PK	1	PK.
A47		B-21777	ABRASIVE PAPER DELTARED LONG BLACK 600G-10PK	1	PK.
A48		B-21783	ABRASIVE PAPER DELTARED LONG BLACK 1200G-10PK	1	PK.
A49		B-21799	FLEECE DELTA MEDIUM 100	1	PC.
A50		B-21808	FLEECE DELTA COARSE 280	1	PC.
A51		B-21814	FLEECE DELTA W/O GRIT	1	PC.
A52		B-21820	HARD POLISH FELT DELTA 94MM	1	PC.
A53		B-34805	BLADE, PLUNGE HM 1-1/4"	1	PC.
A54		B-34811	BLADE, PLUNGE HM 3/4"	1	PC.
A55		B-34827	KNIFE BLADE, SEG BIM 4"	1	PC.